



DP-410

PARTS LIST

Published in Jul. '03
843HL120

NOTE

1. Indicate parts number and machine model when placing an order.

eg.	Parts Number	Parts Name	Machine Model	Cycle	Quantity
	3HL04010	FRONT COVER	DP-410	50Hz	1

2. Service calls and freight will be charged separately.

3. Symbols in the "Parts Number" column.

- Parts with "⊙" indicates the spare parts and the parts without "⊙" can not be supplied.

4. See the last page of this parts list for the classification of the screws in the illustrations.

Parts List

DP-410

CONTENTS

FIG. 1	EXTERIOR COVERS.....	2
FIG. 2	FRAMES	4
FIG. 3	PAPER FEED SECTION.....	6
FIG. 4	PAPER CONVEYING SECTION.....	8
	• INDEX	10

FIG. 1 EXTERIOR COVERS

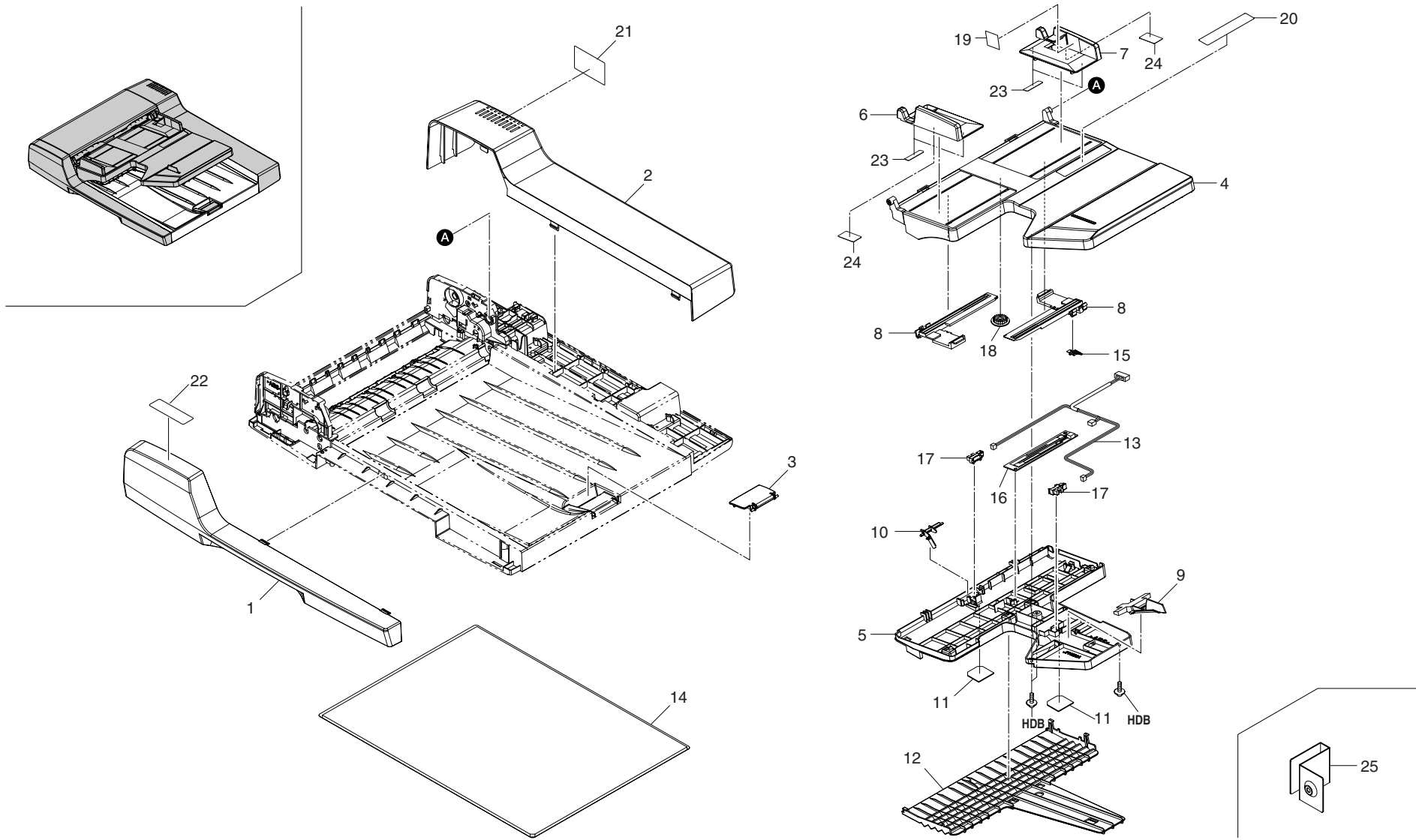


FIG. 1 EXTERIOR COVERS

3HL

SP	Ref. No	Part.No.	Description	Quality			
				110V	120V	230V	240V
⊙	1	3HL04010	FRONT COVER	1	1	1	1
⊙	2	3HL04020	REAR COVER	1	1	1	1
⊙	3	3HL04030	STOPPER EJECT ORIGINAL	1	1	1	1
⊙	4	3HL06010	TABLE ORIGINAL	1	1	1	1
⊙	5	3HL06020	COVER TABLE	1	1	1	1
⊙	6	3HL06030	FRONT CURSOR TABLE	1	1	1	1
⊙	7	3HL06040	REAR CURSOR TABLE	1	1	1	1
⊙	8	3HL06050	RACK TABLE	2	2	2	2
⊙	9	3HL06060	ACTUATOR SIZE DETECTION	1	1	1	1
⊙	10	3HL06070	ACTUATOR LOOP SWITCH	1	1	1	1
⊙	11	3HL06080	FILM TABLE PI	2	2	2	2
⊙	12	3HL10010	TRAY LOOP	1	1	1	1
	13	3HL27010	CONN.CORD ASSY PCB-TABLE	1	1	1	1
⊙	14	3HL02280	MAT ORIGINAL HOLDER	1	1	1	1
	15	3HL06110	TERMINAL PAPER SIZE	1	1	1	1
⊙	16	2C901050	PCB MPF SIZE ASSY	1	1	1	1
⊙	17	2C927210	SENSOR 248NL1	2	2	2	2
⊙	18	65907210	GEAR 20,CASSETTE	1	1	1	1
⊙	19	3HL05020	LABEL,ORIGINAL SET	1	1	1	1
⊙	20	3HL05030	LABEL,ORIGINAL CURSOR	1	1	1	1
⊙	21	3HL05040	LABEL,HINGE CAUTION	1	1	1	1
⊙	22	3HL05050	LABEL,JAM REMOVAL	1	1	1	1
⊙	23	3HL06090	CUSHION CURSOR	4	4	4	4
⊙	24	3HL06120	SPACER CURSOR	2	2	2	2
	25	3HL04040	PROTECTING PLATE DP	1	1	1	1

• Parts with "⊙" indicates the spare parts.

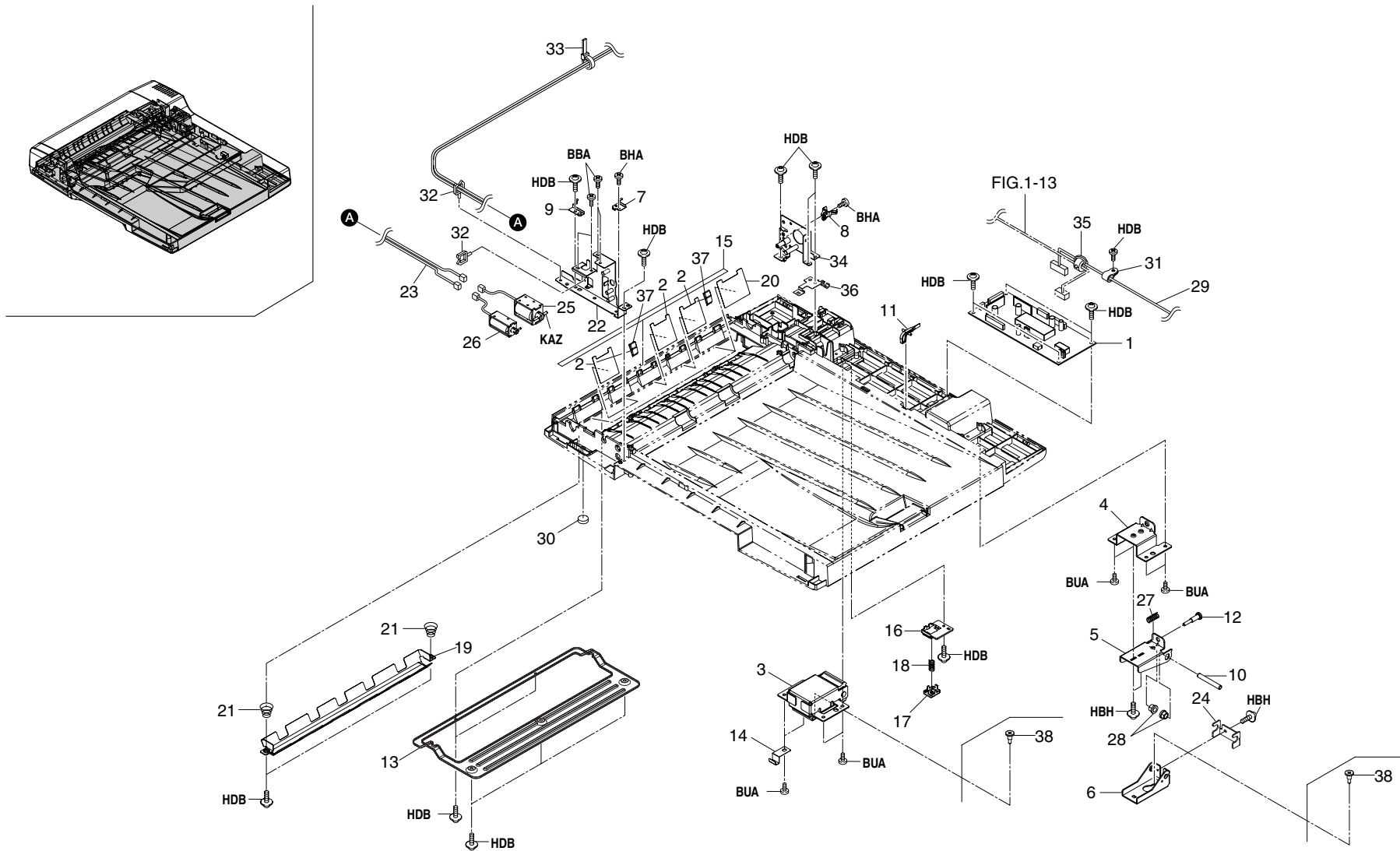


FIG. 2 FRAMES

3HL

SP	Ref. No	Part.No.	Description	Quality			
				110V	120V	230V	240V
⊙	1	3HL01010	MAIN PCB ASS'Y	1	1	1	1
⊙	2	3HL08250	FILM GUIDE BASE	3	3	3	3
	3	3HL02020	LEFT HINGE	1	1	1	1
	4	3HL02050	ADJUSTING PLATE A HINGE	1	1	1	1
	5	3HL02060	ADJUSTING PLATE B HINGE	1	1	1	1
	6	3HL02070	RIGHT MOUNT BASE HINGE	1	1	1	1
	7	3HL02090	GROUND PLATE EJECT	1	1	1	1
	8	3HL02110	GROUND PLATE MOTOR	1	1	1	1
	9	3HL02120	GROUND PLATE CONVEYING	1	1	1	1
	10	3HL02130	SHAFT HINGE	1	1	1	1
⊙	11	3HL02140	ACTUATOR BASE	1	1	1	1
	12	3HL02170	PIN ADJUSTING	1	1	1	1
	13	3HL02190	BASE REINFORCEMENT	1	1	1	1
	14	3HL02200	GROUND PLATE BASE	1	1	1	1
	15	3HL02220	FILM BASE	1	1	1	1
	16	3HL02230	MOUNT PUSH SW	1	1	1	1
	17	3HL02240	PUSH SW DP	1	1	1	1
	18	3HL02250	SPRING,PUSH SWITCH	1	1	1	1
⊙	19	3HL08040	GUIDE READING	1	1	1	1
⊙	20	3HL08290	FILM GUIDE BASE B	2	2	2	2
	21	3HL08180	SPRING,READING	2	2	2	2
	22	3HL22010	FRONT FRAME CONVEYING	1	1	1	1
	23	3HL27050	CONN.CORD ASSY PCB-SOL	1	1	1	1
	24	3HL02150	ADJUSTING LIMITATION	1	1	1	1
⊙	25	3HL27120	SOLENOID,PRESSURE PULLEY	1	1	1	1
⊙	26	3HL27130	SOLENOID,FEED SHIFT	1	1	1	1
	27	3BR08040	SPRING,READING	1	1	1	1
⊙	28	3CY07080	BUSHING 6	2	2	2	2
⊙	29	3HK27020	CONN.CORD ASSY PCB-INTERFACE	1	1	1	1
	30	3HW02140	BASE LEG	1	1	1	1
	31	M2105030	NYLON CLAMP 5N,NK-5N	1	1	1	1
	32	M2105720	MINIATURE CLAMP,UAMS-05-2	2	2	2	2
	33	M2107120	BINDING BAND SG-130	1	1	1	1
	34	3HL22020	REAR FRAME CONVEYING	1	1	1	1
	35	2A627940	CORE 10-20X10	1	1	1	1
	36	3HL02260	GROUND PLATE DRIVE	1	1	1	1
	37	3HL08320	GUIDE PAPER HOLD	2	2	2	2
	38	3HL02180	PIN DP	2	2	2	2

• Parts with "⊙" indicates the spare parts.

FIG. 3 PAPER FEED SECTION

3HL

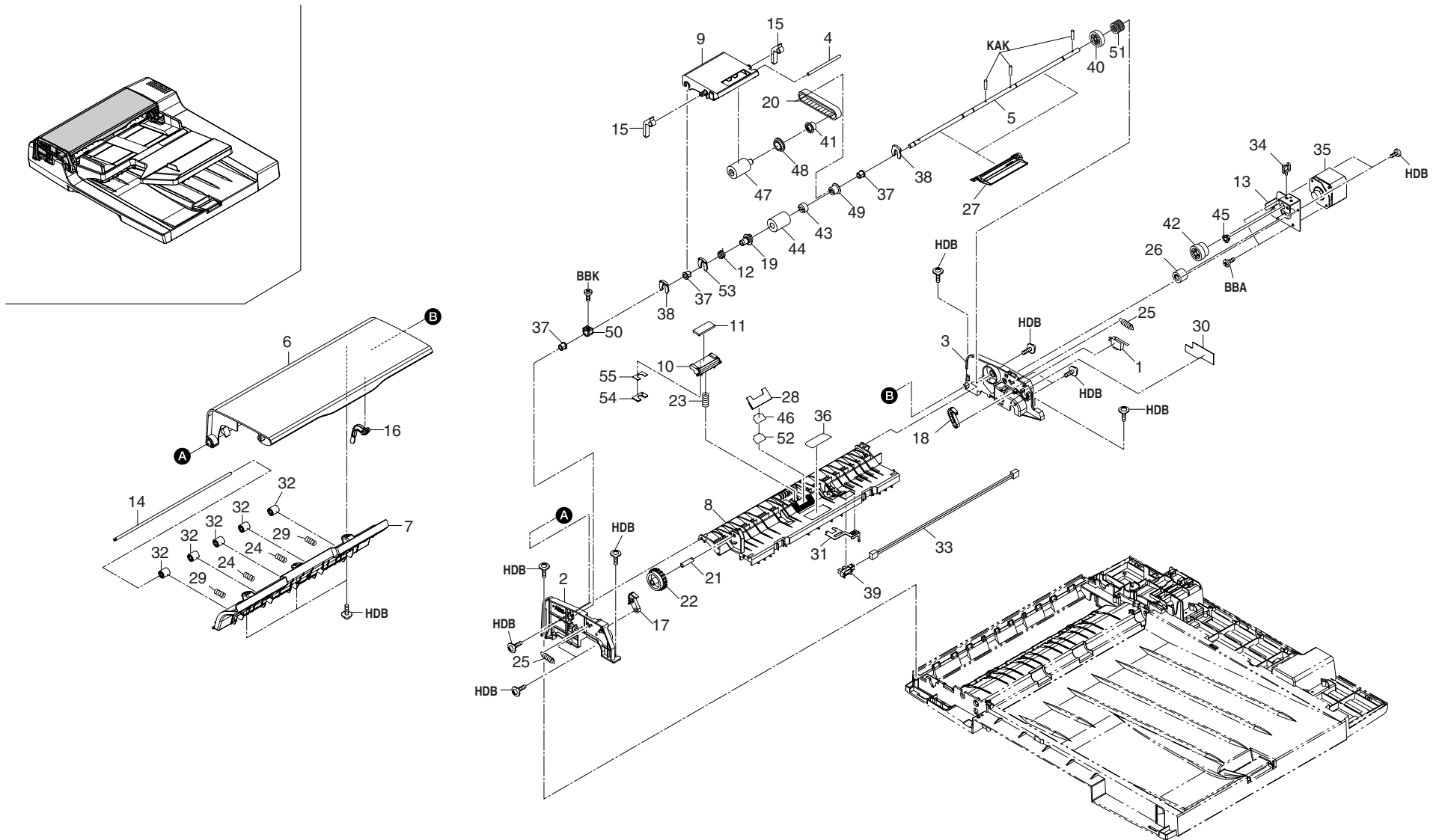


FIG. 3 PAPER FEED SECTION

3HL

SP	Ref. No	Part.No.	Description	Quality			
				110V	120V	230V	240V
⊙	1	3HL01020	RELEASE SWITCH ASS'Y	1	1	1	1
	2	3HL07010	FRONT FRAME PAPER FEED	1	1	1	1
	3	3HL07020	REAR FRAME PAPER FEED	1	1	1	1
	4	3HL07030	SHAFT LEADING FEED	1	1	1	1
	5	3HL07040	SHAFT PAPER FEED	1	1	1	1
⊙	6	3HL07050	COVER PAPER FEED	1	1	1	1
	7	3HL07060	UPPER GUIDE PAPER FEED	1	1	1	1
	8	3HL07070	LOWER GUIDE PAPER FEED	1	1	1	1
	9	3HL07080	HOLDER LEADING FEED	1	1	1	1
⊙	10	3HL07090	HOLDER SEPARATION	1	1	1	1
⊙	11	3HL07100	PAD,SEPARATION	1	1	1	1
⊙	12	3HL07110	SPRING,LIFT	1	1	1	1
	13	3HL07120	MOUNT PAPER FEED MOTOR	1	1	1	1
	14	3HL07130	SHAFT REGISTRATION	1	1	1	1
	15	3HL07140	STOPPER ORIGINAL	2	2	2	2
⊙	16	3HL07150	ACTUATOR ORIGINAL SET	1	1	1	1
⊙	17	3HL07160	FRONT HOOK PF COVER	1	1	1	1
⊙	18	3HL07170	REAR HOOK PF COVER	1	1	1	1
	19	3HL07180	BOSS LIFT	1	1	1	1
⊙	20	3HL07190	BELT 150S2M,PAPER FEED	1	1	1	1
	21	3HL07200	SHAFT JAM REMOVENT	1	1	1	1
	22	3HL07210	DIAL JAM REMOVENT	1	1	1	1
	23	3HL07220	SPRING SEPARATION	1	1	1	1
	24	3HL07230	SPRING REGISTRATION	2	2	2	2
	25	3HL07240	SPRING HOOK	2	2	2	2
⊙	26	3HL07250	GEAR 20 PF FEED	1	1	1	1
	27	3HL07290	GUIDE PF	2	2	2	2
⊙	28	3HL07300	FILM LEADING	1	1	1	1
	29	3HL07310	SPRING REGISTRATION B	2	2	2	2
	30	3HL07320	FILM GEAR COVER	1	1	1	1
	31	3HL07340	GROUND PLATE PI	1	1	1	1
⊙	32	3HL08080	PULLEY CONVEYING	5	5	5	5
	33	3HL27020	CONN.CORD ASSY PCB-ORGSW	1	1	1	1
	34	M2105720	MINIATURE CLAMP,UAMS-05-2	1	1	1	1
⊙	35	3HL27100	MOTOR,PAPER FEED	1	1	1	1
⊙	36	2A107060	FRICTION PLATE,CASSETTE	1	1	1	1
⊙	37	2A806030	BUSH FEED	3	3	3	3
⊙	38	2A806250	RING STOPPER	2	2	2	2
⊙	39	2C927210	SENSOR 248NL1	1	1	1	1
⊙	40	3A707110	GEAR 30,PAPER FEED	1	1	1	1

• Parts with "⊙" indicates the spare parts.

SP	Ref. No	Part.No.	Description	Quality			
				110V	120V	230V	240V
⊙	41	3A707120	PULLEY,LEADING FEED	1	1	1	1
⊙	42	3A722100	GEAR 42/29	1	1	1	1
⊙	43	3BC07130	ONE-WAY CLUTCH 6	1	1	1	1
⊙	44	3BR07040	PULLEY,PAPER FEED	1	1	1	1
⊙	45	3CY07080	BUSHING 6	1	1	1	1
⊙	46	3HL07390	PAD FRONT SEP	1	1	1	1
⊙	47	36211110	PULLEY,LEADING FEED ADF	1	1	1	1
⊙	48	36211500	GEAR,LEADING FEED JOINT	1	1	1	1
⊙	49	68721640	PULLEY 20,DUPLEX CONVEYING	1	1	1	1
	50	3HL07400	COLLAR FEED	1	1	1	1
	51	3HL07370	BRAKE PF ROLLER	1	1	1	1
⊙	52	3HL07380	FILM FRONT PAD	1	1	1	1
⊙	53	2BC06910	STOPPER 6	1	1	1	1
	54	3HL07410	WEIGHT PAD	1	1	1	1
	55	3HL07420	TAPE WEIGHT	1	1	1	1

FIG. 4 CONVEYING SECTION

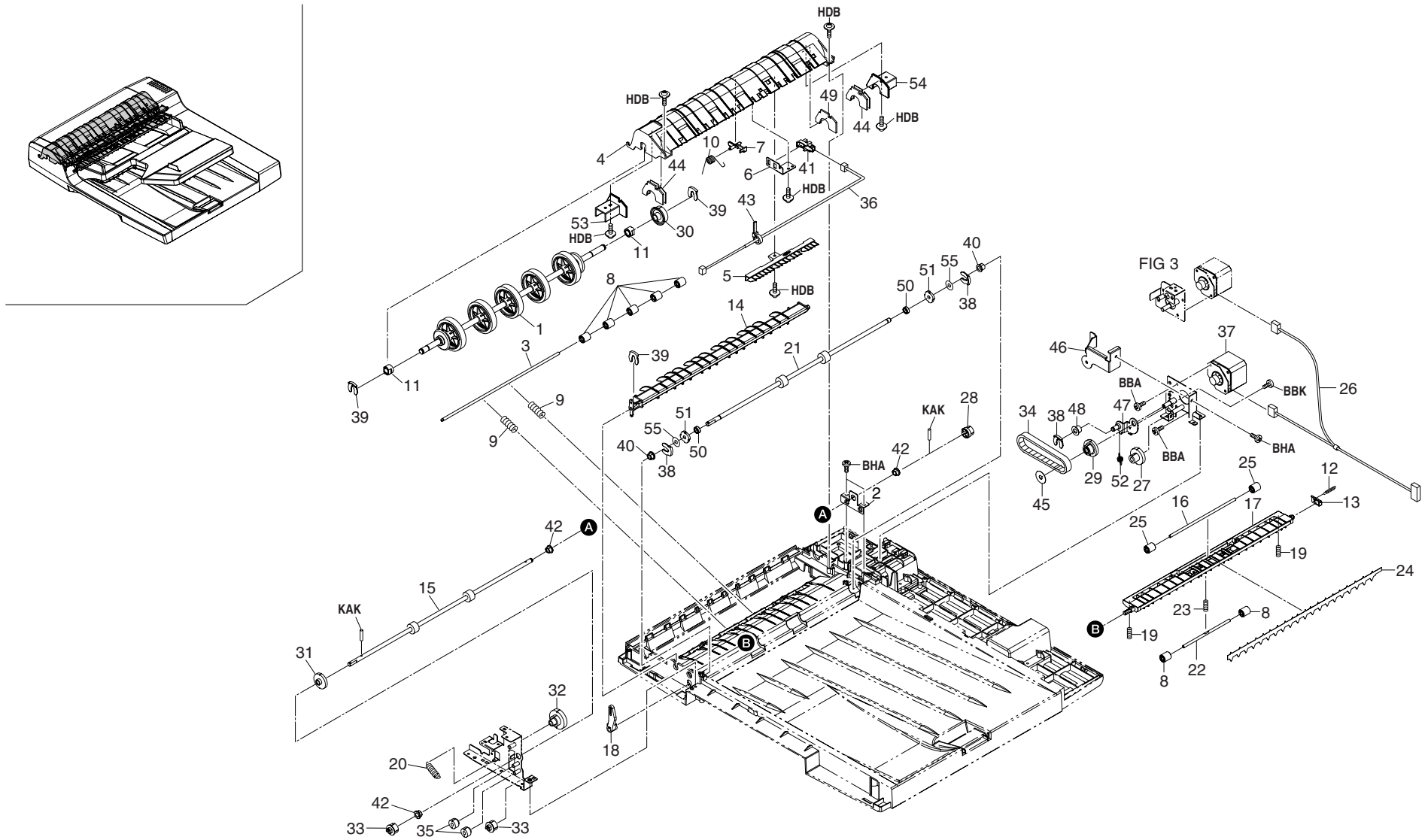


FIG. 4 CONVEYING SECTION

3HL

SP	Ref. No	Part.No.	Description	Quality			
				110V	120V	230V	240V
⊙	1	3HL00010	CONVEYING ROLLER ASS'Y	1	1	1	1
	2	3HL02160	MOUNT GUIDE	1	1	1	1
	3	3HL07130	SHAFT REGISTRATION	1	1	1	1
	4	3HL08010	GUIDE CONVEYING	1	1	1	1
	5	3HL08020	GUIDE B CONVEYING	1	1	1	1
⊙	6	3HL08060	MOUNT PI	1	1	1	1
⊙	7	3HL08070	ACTUATOR CONVEYING TIMING	1	1	1	1
⊙	8	3HL08080	PULLEY CONVEYING	7	7	7	7
	9	3HL08090	SPRING,CONVEYING PULLEY	2	2	2	2
	10	3HL08130	SPRING,CONVEYING ACTUATOR	1	1	1	1
	11	3HL08140	BUSHING 8	2	2	2	2
	12	3HL10150	SPRING ,GND SE	1	1	1	1
	13	3HL10160	GROUND PLATE SE	1	1	1	1
	14	3HL10020	GUIDE LOOP FEED SHIFT	1	1	1	1
⊙	15	3HL10030	ROLLER LOOP	1	1	1	1
	16	3HL10040	SHAFT LOOP PULLEY	1	1	1	1
	17	3HL10050	HOLDER LOOP PULLEY	1	1	1	1
⊙	18	3HL10060	LEVER LOOP PRESSURE	1	1	1	1
	19	3HL10070	SPRING,LOOP PRESSURE	2	2	2	2
	20	3HL10090	SPRING,LF SHIFT GUIDE	1	1	1	1
⊙	21	3HL10100	ROLLER EJECT	1	1	1	1
	22	3HL10110	SHAFT EJECT PULLEY	1	1	1	1
	23	3HL10120	SPRING,EJECT PULLEY	1	1	1	1
	24	3HL10130	STATIC ELIMINATOR EJECT	1	1	1	1
⊙	25	3HL10140	PULLEY LOOP	2	2	2	2
	26	3HL27040	CONN.CORD ASSY PCB-MOTOR	1	1	1	1
⊙	27	3HL22030	GEAR 49/13 IDLE	1	1	1	1
⊙	28	3HL22040	GEAR16 LOOP ROLLER	1	1	1	1
⊙	29	3HL22050	GEAR 24/30 PULLEY	1	1	1	1
⊙	30	3HL22060	PULLEY 40 CONVEYING	1	1	1	1
⊙	31	3HL22080	GEAR48 LOOP ROLLER	1	1	1	1
⊙	32	3HL22090	GEAR 30 JAM REMOVED	1	1	1	1
⊙	33	3HL22100	GEAR 16 EJECT	2	2	2	2
⊙	34	3HL22190	BELT 180S2M	1	1	1	1
⊙	35	3HL22120	GEAR 15 IDLE	2	2	2	2
	36	3HL27030	CONN.CORD ASSY PCB-REGIST	1	1	1	1
⊙	37	3HL27100	MOTOR,PAPER FEED	1	1	1	1
⊙	38	2A806250	RING STOPPER	3	3	3	3
⊙	39	2BC06910	STOPPER 6	3	3	3	3
	40	2BG22970	BUSH 6 EW	2	2	2	2

• Parts with "⊙" indicates the spare parts.

SP	Ref. No	Part.No.	Description	Quality			
				110V	120V	230V	240V
⊙	41	2C927210	SENSOR 248NL1	1	1	1	1
⊙	42	3CY07080	BUSHING 6	3	3	3	3
	43	M2607010	BINDING BAND,PLT1M	1	1	1	1
⊙	44	3HL08270	BRAKE CONV ROLLER A	2	2	2	2
	45	3HL22130	SPACER BELT	1	1	1	1
	46	3HL22140	REAR FRAME SUPPORT	1	1	1	1
	47	3HL22170	TENSION PLATE DRIVE	1	1	1	1
	48	3HL22160	PULLEY REAR SUPPORT	1	1	1	1
⊙	49	3HL08280	BRAKE CONV ROLLER B	1	1	1	1
	50	3HL10170	COLLAR EJECT	2	2	2	2
	51	3HL10180	SPONGE EJECT AUXILIARY	2	2	2	2
	52	3HL22180	SPRING DRIVE	1	1	1	1
	53	3HL08230	MOUNT BRAKE F	1	1	1	1
	54	3HL08240	MOUNT BRAKE R	1	1	1	1
	55	3HL10190	FILM EJECT	2	2	2	2

INDEX

3HL

SP	Part.No.	Description	Quality				Fig.No.
			110V	120V	230V	240V	
⊙	2A107060	FRICTION PLATE,CASSETTE	1	1	1	1	3
	2A627940	CORE 10-20X10	1	1	1	1	2
⊙	2A806030	BUSH FEED	3	3	3	3	3
⊙	2A806250	RING STOPPER	5	5	5	5	3,4
⊙	2BC06910	STOPPER 6	4	4	4	4	3,4
	2BG22970	BUSH 6 EW	2	2	2	2	4
⊙	2C901050	PCB MPF SIZE ASSY	1	1	1	1	1
⊙	2C927210	SENSOR 248NL1	4	4	4	4	1,3,4
⊙	3A707110	GEAR 30,PAPER FEED	1	1	1	1	3
⊙	3A707120	PULLEY,LEADING FEED	1	1	1	1	3
⊙	3A722100	GEAR 42/29	1	1	1	1	3
⊙	3BC07130	ONE-WAY CLUTCH 6	1	1	1	1	3
⊙	3BR07040	PULLEY,PAPER FEED	1	1	1	1	3
	3BR08040	SPRING,READING	1	1	1	1	2
⊙	3CY07080	BUSHING 6	6	6	6	6	2,3,4
⊙	3HK27020	CONN.CORD ASSY PCB-INTERFACE	1	1	1	1	2
⊙	3HL00010	CONVEYING ROLLER ASS'Y	1	1	1	1	4
⊙	3HL01010	MAIN PCB ASS'Y	1	1	1	1	2
⊙	3HL01020	RELEASE SWITCH ASS'Y	1	1	1	1	3
	3HL02020	LEFT HINGE	1	1	1	1	2
	3HL02050	ADJUSTING PLATE A HINGE	1	1	1	1	2
	3HL02060	ADJUSTING PLATE B HINGE	1	1	1	1	2
	3HL02070	RIGHT MOUNT BASE HINGE	1	1	1	1	2
	3HL02090	GROUND PLATE EJECT	1	1	1	1	2
	3HL02110	GROUND PLATE MOTOR	1	1	1	1	2
	3HL02120	GROUND PLATE CONVEYING	1	1	1	1	2
	3HL02130	SHAFT HINGE	1	1	1	1	2
⊙	3HL02140	ACTUATOR BASE	1	1	1	1	2
	3HL02150	ADJUSTING LIMITATION	1	1	1	1	2
	3HL02160	MOUNT GUIDE	1	1	1	1	4
	3HL02170	PIN ADJUSTING	1	1	1	1	2
	3HL02180	PIN DP	2	2	2	2	2
	3HL02190	BASE REINFORCEMENT	1	1	1	1	2
	3HL02200	GROUND PLATE BASE	1	1	1	1	2
	3HL02220	FILM BASE	1	1	1	1	2
	3HL02230	MOUNT PUSH SW	1	1	1	1	2
	3HL02240	PUSH SW DP	1	1	1	1	2
	3HL02250	SPRING,PUSH SWITCH	1	1	1	1	2
	3HL02260	GROUND PLATE DRIVE	1	1	1	1	2
⊙	3HL02280	MAT ORIGINAL HOLDER	1	1	1	1	1

• Parts with "⊙" indicates the spare parts.

SP	Part.No.	Description	Quality				Fig.No.
			110V	120V	230V	240V	
⊙	3HL04010	FRONT COVER	1	1	1	1	1
⊙	3HL04020	REAR COVER	1	1	1	1	1
⊙	3HL04030	STOPPER EJECT ORIGINAL	1	1	1	1	1
	3HL04040	PROTECTING PLATE DP	1	1	1	1	1
⊙	3HL05020	LABEL,ORIGINAL SET	1	1	1	1	1
⊙	3HL05030	LABEL,ORIGINAL CURSOR	1	1	1	1	1
⊙	3HL05040	LABEL,HINGE CAUTION	1	1	1	1	1
⊙	3HL05050	LABEL,JAM REMOVAL	1	1	1	1	1
⊙	3HL06010	TABLE ORIGINAL	1	1	1	1	1
⊙	3HL06020	COVER TABLE	1	1	1	1	1
⊙	3HL06030	FRONT CURSOR TABLE	1	1	1	1	1
⊙	3HL06040	REAR CURSOR TABLE	1	1	1	1	1
⊙	3HL06050	RACK TABLE	2	2	2	2	1
⊙	3HL06060	ACTUATOR SIZE DETECTION	1	1	1	1	1
⊙	3HL06070	ACTUATOR LOOP SWITCH	1	1	1	1	1
⊙	3HL06080	FILM TABLE PI	2	2	2	2	1
⊙	3HL06090	CUSHION CURSOR	4	4	4	4	1
	3HL06110	TERMINAL PAPER SIZE	1	1	1	1	1
⊙	3HL06120	SPACER CURSOR	2	2	2	2	1
	3HL07010	FRONT FRAME PAPER FEED	1	1	1	1	3
	3HL07020	REAR FRAME PAPER FEED	1	1	1	1	3
	3HL07030	SHAFT LEADING FEED	1	1	1	1	3
	3HL07040	SHAFT PAPER FEED	1	1	1	1	3
⊙	3HL07050	COVER PAPER FEED	1	1	1	1	3
	3HL07060	UPPER GUIDE PAPER FEED	1	1	1	1	3
	3HL07070	LOWER GUIDE PAPER FEED	1	1	1	1	3
	3HL07080	HOLDER LEADING FEED	1	1	1	1	3
⊙	3HL07090	HOLDER SEPARATION	1	1	1	1	3
⊙	3HL07100	PAD,SEPARATION	1	1	1	1	3
⊙	3HL07110	SPRING,LIFT	1	1	1	1	3
	3HL07120	MOUNT PAPER FEED MOTOR	1	1	1	1	3
	3HL07130	SHAFT REGISTRATION	2	2	2	2	3,4
	3HL07140	STOPPER ORIGINAL	2	2	2	2	3
⊙	3HL07150	ACTUATOR ORIGINAL SET	1	1	1	1	3
⊙	3HL07160	FRONT HOOK PF COVER	1	1	1	1	3
⊙	3HL07170	REAR HOOK PF COVER	1	1	1	1	3
	3HL07180	BOSS LIFT	1	1	1	1	3
⊙	3HL07190	BELT 150S2M,PAPER FEED	1	1	1	1	3
	3HL07200	SHAFT JAM REMOVAL	1	1	1	1	3
	3HL07210	DIAL JAM REMOVAL	1	1	1	1	3

3HL

SP	Part.No.	Description	Quality				Fig.No.
			110V	120V	230V	240V	
	3HL07220	SPRING SEPARATION	1	1	1	1	3
	3HL07230	SPRING REGISTRATION	2	2	2	2	3
	3HL07240	SPRING HOOK	2	2	2	2	3
⊙	3HL07250	GEAR 20 PF FEED	1	1	1	1	3
	3HL07290	GUIDE PF	2	2	2	2	3
⊙	3HL07300	FILM LEADING	1	1	1	1	3
	3HL07310	SPRING REGISTRATION B	2	2	2	2	3
	3HL07320	FILM GEAR COVER	1	1	1	1	3
	3HL07340	GROUND PLATE PI	1	1	1	1	3
	3HL07370	BRAKE PF ROLLER	1	1	1	1	3
⊙	3HL07380	FILM FRONT PAD	1	1	1	1	3
⊙	3HL07390	PAD FRONT SEP	1	1	1	1	3
	3HL07400	COLLAR FEED	1	1	1	1	3
	3HL07410	WEIGHT PAD	1	1	1	1	3
	3HL07420	TAPE WEIGHT	1	1	1	1	3
	3HL08010	GUIDE CONVEYING	1	1	1	1	4
	3HL08020	GUIDE B CONVEYING	1	1	1	1	4
⊙	3HL08040	GUIDE READING	1	1	1	1	2
⊙	3HL08060	MOUNT PI	1	1	1	1	4
⊙	3HL08070	ACTUATOR CONVEYING TIMING	1	1	1	1	4
⊙	3HL08080	PULLEY CONVEYING	12	12	12	12	3,4
	3HL08090	SPRING,CONVEYING PULLEY	2	2	2	2	4
	3HL08130	SPRING,CONVEYING ACTUATOR	1	1	1	1	4
	3HL08140	BUSHING 8	2	2	2	2	4
	3HL08180	SPRING,READING	2	2	2	2	2
	3HL08230	MOUNT BRAKE F	1	1	1	1	4
	3HL08240	MOUNT BRAKE R	1	1	1	1	4
⊙	3HL08250	FILM GUIDE BASE	3	3	3	3	2
⊙	3HL08270	BRAKE CONV ROLLER A	2	2	2	2	4
⊙	3HL08280	BRAKE CONV ROLLER B	1	1	1	1	4
⊙	3HL08290	FILM GUIDE BASE B	2	2	2	2	2
	3HL08320	GUIDE PAPER HOLD	2	2	2	2	2
⊙	3HL10010	TRAY LOOP	1	1	1	1	1
	3HL10020	GUIDE LOOP FEED SHIFT	1	1	1	1	4
⊙	3HL10030	ROLLER LOOP	1	1	1	1	4
	3HL10040	SHAFT LOOP PULLEY	1	1	1	1	4
	3HL10050	HOLDER LOOP PULLEY	1	1	1	1	4
⊙	3HL10060	LEVER LOOP PRESSURE	1	1	1	1	4
	3HL10070	SPRING,LOOP PRESSURE	2	2	2	2	4
	3HL10090	SPRING,LF SHIFT GUIDE	1	1	1	1	4

SP	Part.No.	Description	Quality				Fig.No.
			110V	120V	230V	240V	
⊙	3HL10100	ROLLER EJECT	1	1	1	1	4
	3HL10110	SHAFT EJECT PULLEY	1	1	1	1	4
	3HL10120	SPRING,EJECT PULLEY	1	1	1	1	4
⊙	3HL10130	STATIC ELIMINATOR EJECT	1	1	1	1	4
⊙	3HL10140	PULLEY LOOP	2	2	2	2	4
	3HL10150	SPRING ,GND SE	1	1	1	1	4
	3HL10160	GROUND PLATE SE	1	1	1	1	4
	3HL10170	COLLAR EJECT	2	2	2	2	4
	3HL10180	SPONGE EJECT AUXILIARY	2	2	2	2	4
	3HL10190	FILM EJECT	2	2	2	2	4
	3HL22010	FRONT FRAME CONVEYING	1	1	1	1	2
	3HL22020	REAR FRAME CONVEYING	1	1	1	1	2
⊙	3HL22030	GEAR 49/13 IDLE	1	1	1	1	4
⊙	3HL22040	GEAR16 LOOP ROLLER	1	1	1	1	4
⊙	3HL22050	GEAR 24/30 PULLEY	1	1	1	1	4
⊙	3HL22060	PULLEY 40 CONVEYING	1	1	1	1	4
⊙	3HL22080	GEAR48 LOOP ROLLER	1	1	1	1	4
⊙	3HL22090	GEAR 30 JAM REMOVENT	1	1	1	1	4
⊙	3HL22100	GEAR 16 EJECT	2	2	2	2	4
⊙	3HL22120	GEAR 15 IDLE	2	2	2	2	4
	3HL22130	SPACER BELT	1	1	1	1	4
	3HL22140	REAR FRAME SUPPORT	1	1	1	1	4
	3HL22160	PULLEY REAR SUPPORT	1	1	1	1	4
	3HL22170	TENSION PLATE DRIVE	1	1	1	1	4
	3HL22180	SPRING DRIVE	1	1	1	1	4
⊙	3HL22190	BELT 180S2M	1	1	1	1	4
	3HL27010	CONN.CORD ASSY PCB-TABLE	1	1	1	1	1
	3HL27020	CONN.CORD ASSY PCB-ORGSW	1	1	1	1	3
	3HL27030	CONN.CORD ASSY PCB-REGIST	1	1	1	1	4
	3HL27040	CONN.CORD ASSY PCB-MOTOR	1	1	1	1	4
	3HL27050	CONN.CORD ASSY PCB-SOL	1	1	1	1	2
⊙	3HL27100	MOTOR,PAPER FEED	2	2	2	2	3,4
⊙	3HL27120	SOLENOID,PRESSURE PULLEY	1	1	1	1	2
⊙	3HL27130	SOLENOID,FEED SHIFT	1	1	1	1	2
	3HW02140	BASE LEG	1	1	1	1	2
⊙	36211110	PULLEY,LEADING FEED ADF	1	1	1	1	3
⊙	36211500	GEAR,LEADING FEED JOINT	1	1	1	1	3
⊙	65907210	GEAR 20,CASSETTE	1	1	1	1	1
⊙	68721640	PULLEY 20,DUPLEX CONVEYING	1	1	1	1	3
	M2105030	NYLON CLAMP 5N,NK-5N	1	1	1	1	2

• Parts with "⊙" indicates the spare parts.

SP	Part.No.	Description	Quality				Fig.No.
			110V	120V	230V	240V	
	M2105720	MINIATURE CLAMP,UAMS-05-2	3	3	3	3	2,3
	M2107120	BINDING BAND SG-130	1	1	1	1	2
	M2607010	BINDING BAND,PLT1M	1	1	1	1	4

• Parts with "☉" indicates the spare parts.

CLASSIFICATION OF THE SCREWS IN ILLUSTRATION

<u>REF.</u>	<u>ITEM #</u>	<u>DESCRIPTION</u>
BBA	B1303040	BINDING SCREW BVM3X4 (BLACK)
BBK	B1303060	BINDING SCREW BVM3X6 (BLACK)
BHA	B3023060	BINDING TAP TITE S SCREW M3X6
BUA	B3314100	BINDING TAP-TITE P BRONZE SCREW M4X10
HAY	B4053060	TRIPLE TAP-TITE S SCREW M3X06
HBH	B4303060	TRIPLE SCREW M3X6 (BLACK)
HDB	B4343080	TRIPLE TAP-TITE P SCREW M3X08(BLACK)
KAK	E0020080	SPRING PIN 2X8
KAZ	E0030200	SPRING PIN 3X20

KYOCERA MITA EUROPE B.V.

Hoeksteen 40, 2132 MS Hoofddorp,
The Netherlands
Phone: +31.(0)20.654.000
Home page: <http://www.kyoceramita-europe.com>
Email: info@kyoceramita-europe.com

KYOCERA MITA NEDERLAND B.V.

Hoeksteen 40 2132 MS Hoofddorp
The Netherlands
Phone: +31.(0)20.587.7200

KYOCERA MITA (UK) LTD.

8 Beacontree Plaza
Gillette Way,
Reading Berks RG2 0BS, UK
Phone: +44.(0)118.931.1500

KYOCERA MITA ITALIA S.P.A.

Via Verdi 89 / 91 20063 Cernusco sul Naviglio,
Italy
Phone: +39.02.92179.1

S.A. KYOCERA MITA BELGIUM N.V.

Hermesstraat 8A 1930 Zaventem Belgium
Phone: +32.(0)2.720.9270

KYOCERA MITA FRANCE S.A.

Parc Les Algorithmes
Saint Aubin
91194 GIF-SUR-YVETTE
France
Phone: +33.(0)1.6985.2600

KYOCERA MITA ESPAÑA S.A.

Edificio Kyocera, Avda de Manacor N. 2,
Urb. Parque Rozas 28290 Las Rozas,
Madrid, Spain
Phone: +34.(0)91.631.8392

KYOCERA MITA FINLAND OY

Kirvesmiehenkatu 4 00810 Helsinki,
Finland
Phone: +358.(0)9.4780.5200

KYOCERA MITA (SCHWEIZ) AG

Holzliwisen Industriestrasse 28
8604 Volketswil, Switzerland
Phone: +41.(0)1.908.4949

KYOCERA MITA DEUTSCHLAND GMBH

Mollsfeld 12 D-40670 Meerbusch,
Germany
Phone: +49.(0)2159.918.0

KYOCERA MITA GMBH AUSTRIA

Eduard-Kittenberger Gasse 95
1230 Wien, Austria
Phone: +43.(0)1.86338.0

KYOCERA MITA SVENSKA AB

Box 1402 171 27 Solna, Sweden
Phone: +46.(0)8.546.550.00

KYOCERA MITA NORGE

Postboks 150 Oppsal, NO 0619 Oslo
Olaf Helsetsvel 6, NO 0694 Oslo
Phone: +47.(0)22.62.73.00

KYOCERA MITA DANMARK A/S

Hovedkontor: Slotsmarken 11,
DK-2970 Hørsholm, Denmark
Phone: +45.(70)22.3880

KYOCERA MITA PORTUGAL LDA.

Rua de Campolide 55-5 Dt 1070-029
Lisboa, Portugal
Phone: +351.(0)21.032.0900

**KYOCERA MITA SOUTH AFRICA
(PTY) LTD.**

527 Kyalami Boulevard,
Kyalami Business Park 1685 Midrand South
Phone: +27.(0)11.466.3290

KYOCERA MITA AMERICA, INC.

Headquarters:
225 Sand Road, P.O. Box 40008,
Fairfield, New Jersey 07004-0008,
U.S.A.
Phone: (973) 808-8444

**KYOCERA MITA AUSTRALIA PTY.
LTD.**

Level 3, 6-10 Talavera Road, North Ryde,
N.S.W. 2113 Australia
Phone: (02) 9888-9999

KYOCERA MITA NEW ZEALAND LTD.

1-3 Parkhead Place, Albany
P.O. Box 302 125 NHPC, Auckland,
New Zealand
Phone: (09) 415-4517

**KYOCERA MITA (THAILAND) CORP.,
LTD.**

9/209 Ratchada-Prachachem Road,
Bang Sue, Bangkok 10800, Thailand
Phone: (02) 586-0320

**KYOCERA MITA SINGAPORE
PTE LTD.**

121 Genting Lane, 3rd Level,
Singapore 349572
Phone: 67418733

**KYOCERA MITA HONG KONG
LIMITED**

11/F., Mita Centre,
552-566, Castle Peak Road,
Tsuen Wan, New Territories,
Hong Kong
Phone: 24297422

**KYOCERA MITA TAIWAN
CORPORATION**

7F-1~2, No.41, Lane 221, Gangchi Rd.
Neihu District, Taipei, Taiwan, 114. R.O.C.
Phone: (02) 87511560

KYOCERA MITA CORPORATION

2-28, 1-chome, Tamatsukuri, Chuo-ku
Osaka 540-8585, Japan
Phone: (06) 6764-3555
<http://www.kyoceramita.com>

© 2003 KYOCERA MITA CORPORATION

 **KYOCERA** is a trademark of Kyocera Corporation

mita is a registered trademark of KYOCERA MITA CORPORATION

Printed in Holland